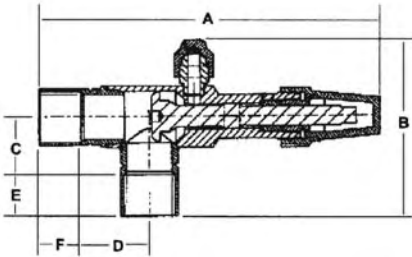
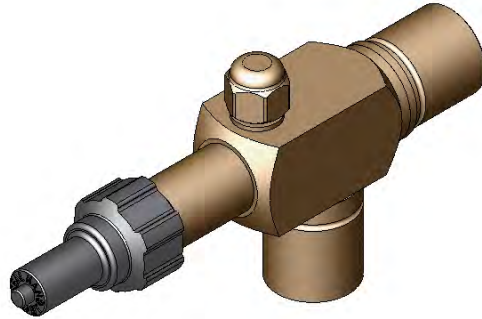


Angle Isolation Valves, Brass Solder x Solder

Look for these Mueller advantages:

- Maximum working pressure (PS): 700 psig, 48 bar
- Working temperature range (TS): -40°F/300°F, -40°C/149°C
- Compatible with all CFC, HCFC and HFC refrigerants and oils
- UL/cUL Recognized, CE Certified
- RoHS Compliant
- 100% tested
- Asbestos-free packing material
- Quick-change packing gland allows easy replacement without refrigerant loss
- Solid brass construction for maximum protection in all environmental conditions
- Backseating design



Part No.	Size	Cv	A (in)	B (in)	C (in)	D (in)	E (in)	F (in)	Flare Size (in)	Wt (lb)
B 34413	5/8 ODS X 5/8 ODS	6	5 27/64	2 21/32	27/32	1 11/64	1/2	1/2	1/4	0.08
B 34412	7/8 ODS X 7/8 ODS	15	6 9/16	3 3/32	29/32	1 17/64	3/4	3/4	1/4	1.17
B 35224	1 1/8 ODS X 1 1/8 ODS	25	7 19/32	3 63/64	1 5/16	1 1/2	15/16	15/16	3/8	1.85
B 34479	1 1/8 ODS X 1 3/8 ODS	-	7 19/32	3 3/4	1 1/4	1 1/2	1	15/16	1/4	1.95
B 34594	1 3/8 ODS X 1 3/8 ODS	38	9 31/64	4 3/16	1 1/2	1 29/32	1	1	3/8	2.87
B 34595	1 5/8 ODS X 1 5/8 ODS	53	10 3/64	4 11/16	1 3/4	2 3/16	1 3/32	1 3/32	1/4	3.88

Part No.	Size	Kv	A (mm)	B (mm)	C (mm)	D (mm)	E (mm)	F (mm)	Wt (kg)
B 34413	5/8 ODS X 5/8 ODS	5.12	138	67	21	30	13	13	0.04
B 34412	7/8 ODS X 7/8 ODS	12.8	167	79	23	32	19	19	0.53
B 35224	1 1/8 ODS X 1 1/8 ODS	21.33	193	101	33	38	24	24	0.84
B 34479	1 1/8 ODS X 1 3/8 ODS	-	193	95	32	38	25	24	0.8
B 34594	1 3/8 ODS X 1 3/8 ODS	32.41	241	106	38	48	25	25	1.3
B 34595	1 5/8 ODS X 1 5/8 ODS	45.21	255	119	44	56	28	28	1.76

Torques to Seal

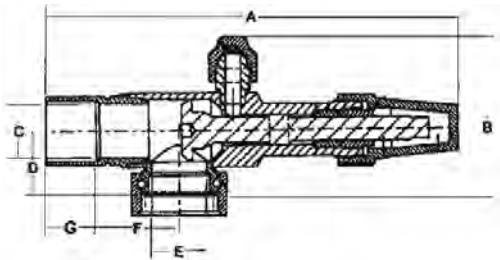
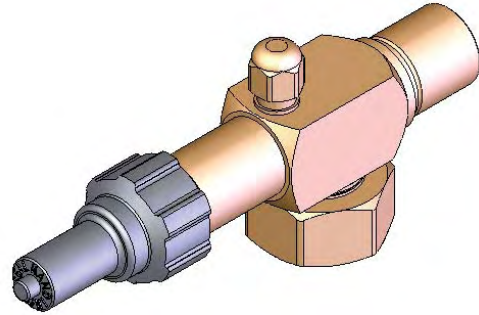
Part No.	Front Seat (ft-lbs)	Back Seat (ft-lbs)	Pack Gland (ft-lbs)	Flare Seal Cap (ft-lbs)	Seal Cap (ft-lbs)
B 34413	16 - 18	16 - 18	8 - 12	8 - 10	Finger Tight
B 34412	22 - 40	25 - 45	15 - 25	8 - 10	Finger Tight
B 35224	22 - 40	25 - 45	15 - 25	15 - 25	Finger Tight
B 34479					
B 34594	22 - 40	22 - 45	15 - 25	15 - 25	40 - 50
B 34595	22 - 40	22 - 45	15 - 25	15 - 25	40 - 50

Part No.	Front Seat (N-m)	Back Seat (N-m)	Pack Gland (N-m)	Flare Seal Cap (N-m)	Seal Cap (N-m)
B 34413	22 - 24	22 - 24	11 - 16	11 - 14	Finger Tight
B 34412	30 - 40	34 - 61	20 - 34	11 - 14	Finger Tight
B 35224	30 - 40	34 - 61	20 - 34	20 - 34	Finger Tight
B 34479					
B 34594	30 - 40	30 - 61	20 - 34	20 - 34	54 - 68
B 34595	30 - 40	30 - 61	20 - 34	20 - 34	54 - 68

Angle Isolation Valves, Brass Solder x Rotolock

Look for these Mueller advantages:

- Maximum working pressure (PS): 700 psig, 48 bar
- Working temperature range (TS): -40°F/300°F, -40°C/149°C
- Compatible with all CFC, HCFC and HFC refrigerants and oils
- UL/cUL Recognized, CE Certified
- RoHS Compliant
- 100% tested
- Asbestos-free packing material
- Quick-change packing gland allows easy replacement without refrigerant loss
- Solid brass construction for maximum protection in all environmental conditions
- Backseating design



Part No.	Size	Cv (in)	A (in)	B (in)	C (in)	D (in)	E (in)	F (in)	Flare Size (in)	Wt (lb)
B 34418	5/8 ODS X 1 THD	6	5 27/64	2 1/4	35/64	15/16	35/64	1/6	1/4	0.68
B 34417	7/8 ODS X 1 1/4 THD	15	6 9/16	2 31/64	3/4	1 3/64	3/4	1 17/64	1/4	1.33
B 34416	1 1/8 ODS X 1 3/4 THD	25	7 19/32	3	1	1 1/4	1	1 35/64	3/8	2.03
B 34415	1 3/8 ODS X 1 3/4 THD	38	9 31/64	3 17/64	1 1/4	1 2/5	1 1/4	1 29/32	3/8	3.26
B 34414	1 5/8 ODS X 2 1/4 THD	53	10 3/64	3 35/64	1 1/2	1 9/16	1 1/2	2 3/16	3/8	4.26

Part No.	Size	Kv	A (mm)	B (mm)	C (mm)	D (mm)	E (mm)	F (mm)	Flare Size (in)	Wt (kg)
B 34418	5/8 ODS X 1 THD	5.16	138	57	14	24	14	4	1/4	0.31
B 34417	7/8 ODS X 1 1/4 THD	12.9	167	63	19	27	19	32	1/4	0.6
B 34416	1 1/8 ODS X 1 3/4 THD	21.5	193	76	25	32	25	39	3/8	0.92
B 34415	1 3/8 ODS X 1 3/4 THD	32.68	241	83	32	36	32	48	3/8	1.48
B 34414	1 5/8 ODS X 2 1/4 THD	45.58	255	90	38	40	38	56	3/8	1.93

Torques to Seal

Part No.	Front Seat (ft-lbs)	Back Seat (ft-lbs)	Pack Gland (ft-lbs)	Flare Seal Cap (ft-lbs)	Rotolock Nut (ft-lbs)	Seal Cap (ft-lbs)
B 34418	16 - 18	16 - 18	8 - 12	8 - 10	40 - 50	Finger Tight
B 34417	22 - 40	22 - 45	15 - 25	15 - 25	60 - 80	Finger Tight
B 34416	22 - 40	22 - 45	15 - 25	15 - 25	60 - 80	Finger Tight
B 34415	22 - 40	22 - 45	15 - 25	15 - 25	60 - 80	40 - 50
B 34414	22 - 40	22 - 45	15 - 25	15 - 25	80 - 100	40 - 50

Part No.	Front Seat (N-m)	Back Seat (N-m)	Pack Gland (N-m)	Flare Seal Cap (N-m)	Rotolock Nut (N-m)	Seal Cap (N-m)
B 34418	22 - 24	22 - 24	11 - 16	11 - 14	54 - 68	Finger Tight
B 34417	30 - 40	30 - 61	20 - 34	20 - 34	81 - 109	Finger Tight
B 34416	30 - 40	30 - 61	20 - 34	20 - 34	81 - 109	Finger Tight
B 34415	30 - 40	30 - 61	20 - 34	20 - 34	81 - 109	54 - 68
B 34414	30 - 40	30 - 61	20 - 34	20 - 34	109 - 136	54 - 68

Rotolock Couplings & Line Break Kits

Thread	Male Spud	Gasket	Line Break Kits*
1	**	**	**
1 1/4	**	**	**
1 1/2	S 36173	P 36168	A 17910
1 3/4	S 36171	P 36169	A 17912
2 1/4	S 36164	P 36167	A 17908

* Line Break Kit includes Rotolock, Spud and Gasket

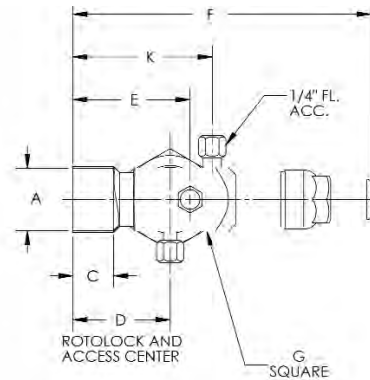
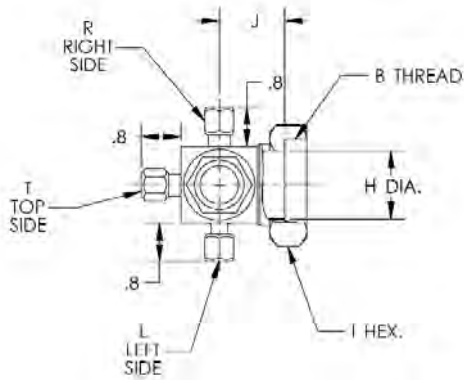
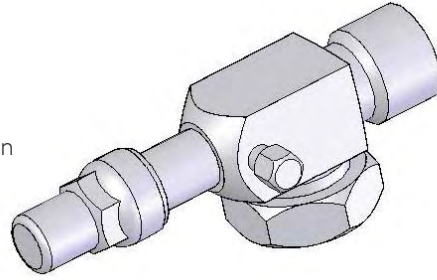
** Consult Factory



Angle Isolation Valves, Steel Solder x Rotolock

Look for these Mueller advantages:

- Maximum working pressure (PS): 700 psig, 48 bar
- Working temperature range (TS): -40°F/300°F, -40°C/149°C
- Compatible with all CFC, HCFC and HFC refrigerants and oils
- UL/cUL Recognized, CE Certified
- RoHS Compliant
- Tin plated protection for maximum corrosion resistance
- Solid copper solder connections for fast and efficient system installation
- Adjustable packing nut assures leak free operation
- Quick-change packing gland allows easy replacement without refrigerant loss
- Available with multiple access port configurations
- Access cap made from solid brass
- Solder x solder configurations with upcoming release date



Angle Isolation Valves, Steel Solder x Rotolock

Part No	A	A	C	C	D	D	E	E	F	F	G	G	H DIAI HEX	J	J	K	K	
	(in)	(mm)	(in)	(mm)	(in)	(mm)	(in)	(mm)	(in)	(mm)	(in)	(mm)	(in)	(in)	(in)	(mm)	(in)	(mm)
I 10000	5/8	16	0.53	13	1.57	40	N/A	N/A	4.65	118	0.87	22	0.51	1.18	0.78	20	2.08	53
I 10001	3/4	19	0.65	17	2.10	53	2.77	70	5.75	146	1.18	30	0.75	1.42	1.05	27	N/A	N/A
I 10002	7/8	22	0.79	20	2.10	53	N/A	N/A	5.69	145	1.18	30	0.75	1.42	1.05	27	2.77	70
I 10004	1 1/8	29	0.95	24	2.85	72	N/A	N/A	7.62	194	1.42	36	1.06	1.97	1.22	31	3.77	96

Prefixed Dimensional Data:

B - Thread

Second Letter Indicates Thread Size (Rotolock Nut)

A	3/4" - 16UNF-2B
B	1"-14 UNS-2B
C	1 1/4"-12 UNF-2B
D	1 1/2" - 12 UNF
E	1 3/4"-12 UN-2B
F	2 1/4" - 12UNF-2B

Access Port

Third Letter Indicates First Port Location

T	Top Side
L	Left Side
R	Right Side

Access Port

Fourth Letter Indicates Second Port Location

T	Top Side
L	Left Side
R	Right Side

Examples of part numbers:

IBLR10000 5/8, 1"-14 UNS-2B Thread, Access ports on Left and Right sides of valve
 ICT10001 3/4, 1 1/4"-12 UNF-2B Thread, Access port on Top of valve
 ICLR10002 7/8, 1 1/4"-12 UNF-2B Thread, Access ports on Left and Right sides of valve
 IELR10004 1 1/8, 1 3/4"-12 UN-2B Thread, Access ports on Left and Right sides of valve

Torques to Seal

Part No	STEM CAP		PACKING NUT		STEM FRONT SEAT		STEM BACK SEAT		FLARE SEAL CAP	
	(ft-lbs)	(N-m)	(ft-lbs)	(N-m)	(ft-lbs)	(N-m)	(ft-lbs)	(N-m)	(ft-lbs)	(N-m)
I 10000	6 - 7	8 - 10	7 - 9	10 - 12	9 - 11	12 - 15	9 - 11	12 - 15	7 - 11	10 - 15
I 10001	12 - 13	16 - 18	7 - 9	10 - 12	11 - 15	15 - 20	18 - 22	25 - 30	7 - 11	10 - 15
I 10002	12 - 13	16 - 18	7 - 9	10 - 12	11 - 15	15 - 20	18 - 22	25 - 30	7 - 11	10 - 15
I 10004	12 - 13	16 - 18	11 - 13	15 - 18	15 - 18	20 - 25	30 - 33	41 - 45	7 - 11	10 - 15