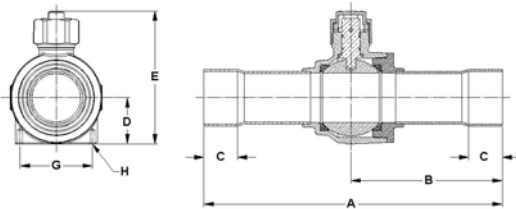
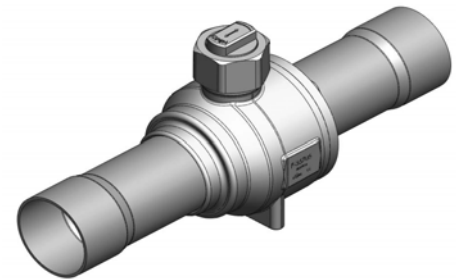


# CYCLEMASTER® Ball Valves

## Standard

### Features:

- Maximum working pressure (PS): 700 psig, 48 bar
- Working temperature range (TS): -40°F/300°F, -40°C/149°C
- Compatible with all CFC, HCFC and HFC refrigerants and oils
- Full port construction to match line size ID
- Internally equalized ball design
- Rupture-proof encapsulated stem
- MCMTM Seal Technology
- UL/cUL Listed, CE Certified



### References

- \* Reduced Port
- \*\* Where Applicable
- \*\*\* Consult Factory
- ‡ Standard product offering includes drilled/ tapped feature
- Prefix AP Drilled/ tapped
- Prefix APX Drilled/tapped, 1 piece plastic cap
- Prefix AX 1 piece plastic cap

### Dimensions

Part Number	Size	Cv	A (in)	B (in)	C (in) Min	D (in)	E (in)	G (in) **	H **	Port (in)	Wt(lb)	Seal Cap Kit
API7859	‡ 1/4	1.0	5.47	2.97	0.31	0.65	2.53	0.87	M4 X 0.7	0.50	0.67	A 17842
API7860C	‡ 3/8	4.3	5.50	3.00	0.31	0.65	2.53	0.87	M4 X 0.7	0.50	0.66	A 17842
API7861C	‡ 1/2	6.2	6.35	3.41	0.38	0.65	2.53	0.87	M4 X 0.7	0.50	0.68	A 17842
API7862C	‡ 5/8	12.1	6.35	3.41	0.5	0.65	2.53	0.87	M4 X 0.7	0.50	0.68	A 17842
API7863	‡ 3/4	19.0	7.45	3.89	0.62	0.88	3.08	1.18	M4 X 0.7	0.75	1.21	A 17843
API7864C	‡ 7/8	27.5	7.45	3.89	0.75	0.88	3.08	1.18	M4 X 0.7	0.75	1.23	A 17843
API7865A	‡ 1 1/8	54.0	8.42	4.21	0.91	1.00	3.28	1.50	M4 X 0.7	1.00	1.58	A 17843
A 17866	1 3/8	89.1	10.00	5.00	0.97	1.28	3.94	1.89	M6 X 1.0	1.25	3.26	A 17844
A 17867	1 5/8	114.0	11.00	5.50	1.09	1.42	4.58	2.17	M6 X 1.0	1.50	4.70	A 17845
A 17868	2 1/8	244.0	12.00	6.08	1.34	1.86	5.34	2.91	M6 X 1.0	2.00	8.02	A 17845
A 17869	2 5/8	401.0	13.50	6.80	1.47	2.22	6.25			2.45	13.40	A 17846
A 17870	3 1/8	553.0	16.00	8.00	1.66	2.69	7.07			3.00	21.31	A 17846
A 17871	* 2 5/8	230.0	12.00	6.08	1.47	1.86	5.34	2.91	M6 X 1.0	2.00	8.46	A 17845
A 17872	* 3 1/8	143.0	12.00	6.08	1.66	1.86	5.34	2.91	M6 X 1.0	2.00	9.12	A 17845
B 34909	** 3 5/8		13.10	6.50	1.91	2.69	7.07			3.00	22.80	A 17846
B 34910	** 4 1/8		14.50	7.20	2.16	2.69	7.07			3.00	21.00	A 17846



RoHS Compliant. Comply with ISO 9001 Standards.

12/9/2010

121 Rogers Street • Hartsville, TN 37074  
 (800) 251-8983 or (615) 374-2124  
 FAX (800) 529-0884 or (615) 374-0932

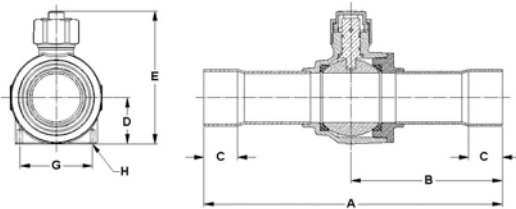
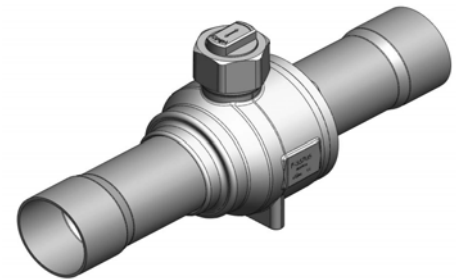
www.muellerindustries.com

# CYCLEMASTER® Ball Valves

## Standard

### Features:

- Maximum working pressure (PS): 700 psig, 48 bar
- Working temperature range (TS): -40°F/300°F, -40°C/149°C
- Compatible with all CFC, HCFC and HFC refrigerants and oils
- Full port construction to match line size ID
- Internally equalized ball design
- Rupture-proof encapsulated stem
- MCMTM Seal Technology
- UL/cUL Listed, CE Certified



### References

- \* Reduced Port
- \*\* Where Applicable
- \*\*\* Consult Factory
- ‡ Standard product offering includes drilled/ tapped feature
- Prefix AP Drilled/ tapped
- Prefix APX Drilled/tapped, 1 piece plastic cap
- Prefix AX 1 piece plastic cap

### Metric Dimensions

Part Number	Size	Kv	A (mm)	B (mm)	C (mm) Min	D (mm)	E (mm)	G (mm) **	H **	Port (mm)	Wt(kg)	Seal Cap Kit
API7859	‡ 6	0.9	139	75	8	17	64	22	M4 X 0.7	13	0.30	A 17842
API7860C	‡ 10	3.7	140	76	8	17	64	22	M4 X 0.7	13	0.30	A 17842
API7861C	‡ 13	5.4	161	87	10	17	64	22	M4 X 0.7	13	0.31	A 17842
API7862C	‡ 16	10.5	161	87	13	17	64	22	M4 X 0.7	13	0.31	A 17842
API7863	‡ 19	16.4	189	99	16	22	78	30	M4 X 0.7	19	0.55	A 17843
API7864C	‡ 22	23.8	189	99	19	22	78	30	M4 X 0.7	19	0.56	A 17843
API7865A	‡ 29	46.7	214	107	23	25	83	38	M4 X 0.7	25	0.72	A 17843
A 17866	35	77.1	254	127	25	33	100	48	M6 X 1.0	32	1.48	A 17844
A 17867	41	98.6	279	140	28	36	116	55	M6 X 1.0	38	2.13	A 17845
A 17868	54	211.0	305	154	34	47	136	74	M6 X 1.0	51	3.64	A 17845
A 17869	67	346.8	343	173	37	56	159			62	6.08	A 17846
A 17870	79	478.3	406	203	42	68	180			76	9.67	A 17846
A 17871	* 67	198.9	305	154	37	47	136	74	M6 X 1.0	51	3.84	A 17845
A 17872	* 79	123.7	305	154	42	47	136	74	M6 X 1.0	51	4.13	A 17845
B 34909	** 92		333	165	49	68	180			76	10.34	A 17846
B 34910	** 105		368	183	55	68	180			76	9.53	A 17846



RoHS Compliant. Comply with ISO 9001 Standards.

121 Rogers Street • Hartsville, TN 37074  
 (800) 251-8983 or (615) 374-2124  
 FAX (800) 529-0884 or (615) 374-0932

12/9/2010

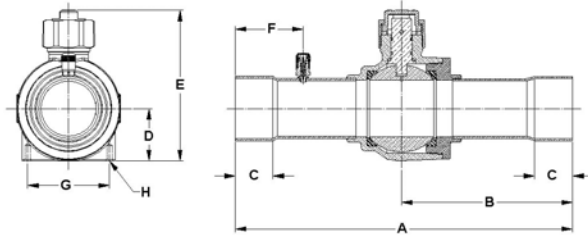
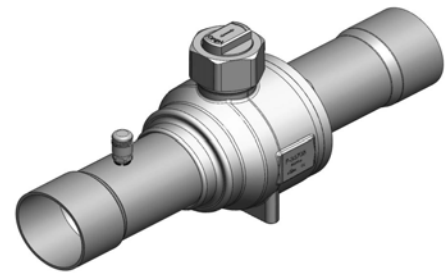
www.muellerindustries.com

# CYCLEMASTER® Ball Valves

Standard With  
Access Port

## Features:

- Maximum working pressure (PS): 700 psig, 48 bar
- Working temperature range (TS): -40°F/300°F, -40°C/149°C
- Compatible with all CFC, HCFC and HFC refrigerants and oils
- Full port construction to match line size ID
- Internally equalized ball design
- Rupture-proof encapsulated stem
- MCMTM Seal Technology
- UL/cUL Listed, CE Certified



## References

- \* Reduced Port
- \*\* Where Applicable
- \*\*\* Consult Factory
- ‡ Standard product offering includes drilled/ tapped feature

Prefix ACX 1 piece plastic cap

Prefix AQ Drilled/ tapped

Prefix AQX Drilled/tapped, 1 piece plastic cap

## Dimensions

Part Number	Size	Cv	A (in)	B (in)	C (in) Min	D (in)	E (in)	F (in)	G (in)**	H **	Port (in)	Wt(lb)	Seal Cap Kit
AQ17859	‡ 1/4	1.00	5.47	2.97	0.31	0.65	2.53	1.16	0.87	M4 X 0.7	0.50	0.72	A 17842
AQ17860C	‡ 3/8	4.30	5.50	3.00	0.31	0.65	2.53	1.16	0.87	M4 X 0.7	0.50	0.69	A 17842
AQ17861C	‡ 1/2	6.20	6.35	3.41	0.38	0.65	2.53	1.21	0.87	M4 X 0.7	0.50	0.71	A 17842
AQ17862C	‡ 5/8	12.10	6.35	3.41	0.50	0.65	2.53	1.35	0.87	M4 X 0.7	0.50	0.72	A 17842
AQ17863	‡ 3/4	19.00	7.45	3.89	0.62	0.88	3.08	1.47	1.18	M4 X 0.7	0.75	1.47	A 17843
AQ17864C	‡ 7/8	27.50	7.45	3.89	0.75	0.88	3.08	1.60	1.18	M4 X 0.7	0.75	1.46	A 17843
AQ17865A	‡ 1 1/8	54.00	8.42	4.21	0.91	1.00	3.28	1.74	1.50	M4 X 0.7	1.00	1.56	A 17843
AC17866	1 3/8	89.10	10.00	5.00	0.97	1.28	3.94	2.04	1.89	M6 X 1.0	1.25	3.27	A 17844
AC17867	1 5/8	114.00	11.00	5.50	1.09	1.42	4.58	2.25	2.17	M6 X 1.0	1.50	4.78	A 17845
AC17868	2 1/8	244.00	12.00	6.08	1.34	1.86	5.34	2.41	2.91	M6 X 1.0	2.00	8.09	A 17845
AC17869	2 5/8	401.00	13.50	6.80	1.47	2.22	6.25	2.85			2.45	13.81	A 17846
AC17870	3 1/8	553.00	16.00	8.00	1.66	2.69	7.07	3.41			3.00	21.42	A 17846
AC17871	* 2 5/8	230.00	12.00	6.08	1.47	1.86	5.34	2.48	2.91	M6 X 1.0	2.00	8.71	A 17845
AC17872	* 3 1/8	143.00	12.00	6.08	1.66	1.86	5.34	2.66	2.91	M6 X 1.0	2.00	9.23	A 17845



RoHS Compliant. Comply with ISO 9001 Standards.

12/9/2010

121 Rogers Street • Hartsville, TN 37074  
(800) 251-8983 or (615) 374-2124  
FAX (800) 529-0884 or (615) 374-0932

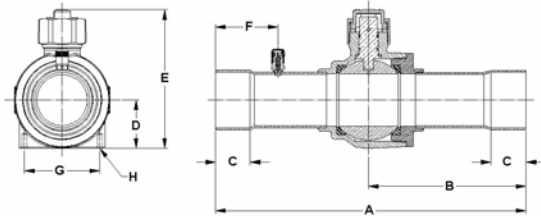
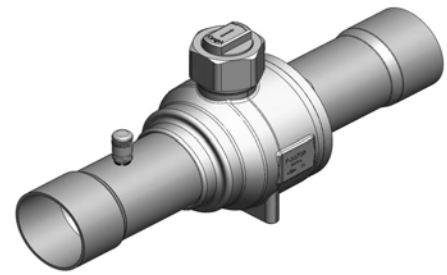
www.muellerindustries.com

# CYCLEMASTER® Ball Valves

Standard With  
Access Port

## Features:

- Maximum working pressure (PS): 700 psig, 48 bar
- Working temperature range (TS): -40°F/300°F, -40°C/149°C
- Compatible with all CFC, HCFC and HFC refrigerants and oils
- Full port construction to match line size ID
- Internally equalized ball design
- Rupture-proof encapsulated stem
- MCMTM Seal Technology
- UL/cUL Listed, CE Certified



## References

- \* Reduced Port
- \*\* Where Applicable
- \*\*\* Consult Factory
- ‡ Standard product offering includes drilled/ tapped feature

Prefix ACX 1 piece plastic cap

Prefix AQ Drilled/ tapped

Prefix AQX Drilled/tapped, 1 piece plastic cap

## Metric Dimensions

Part Number	Size	Kv	A (mm)	B (mm)	C (mm) Min	D (mm)	E (mm)	F (mm)	G (mm)**	H **	Port (mm)	Wt(kg)	Seal Cap Kit
AQI7859	6	0.9	139	75	8	17	64	29	22	14 X 0.7	13	0.33	A 17842
AQI7860C	10	3.7	140	76	8	17	64	29	22	14 X 0.7	13	0.31	A 17842
AQI7861C	13	5.4	161	87	10	17	64	31	22	14 X 0.7	13	0.32	A 17842
AQI7862C	16	10.5	161	87	13	17	64	34	22	14 X 0.7	13	0.33	A 17842
AQI7863	19	16.4	189	99	16	22	78	37	30	14 X 0.7	19	0.66	A 17843
AQI7864C	22	23.8	189	99	19	22	78	41	30	14 X 0.7	19	0.66	A 17843
AQI7865A	29	46.7	214	107	23	25	83	44	38	14 X 0.7	25	0.71	A 17843
ACI7866	35	77.1	254	127	25	33	100	52	48	16 X 1.0	32	1.48	A 17844
ACI7867	41	98.6	279	140	28	36	116	57	55	16 X 1.0	38	2.17	A 17845
ACI7868	54	211.0	305	154	34	47	136	61	74	16 X 1.0	51	3.67	A 17845
ACI7869	67	346.8	343	173	37	56	159	72			62	6.26	A 17846
ACI7870	79	478.3	406	203	42	68	180	87			76	9.72	A 17846
ACI7871	*	67	198.9	305	37	47	136	63	74	16 X 1.0	51	3.95	A 17845
ACI7872	*	79	123.7	305	42	47	136	68	74	16 X 1.0	51	4.18	A 17845



RoHS Compliant. Comply with ISO 9001 Standards.

12/9/2010

121 Rogers Street • Hartsville, TN 37074  
(800) 251-8983 or (615) 374-2124  
FAX (800) 529-0884 or (615) 374-0932

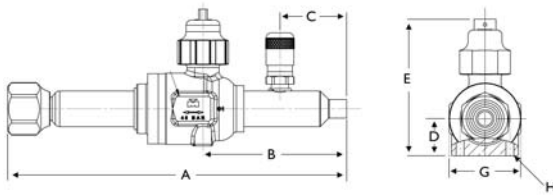
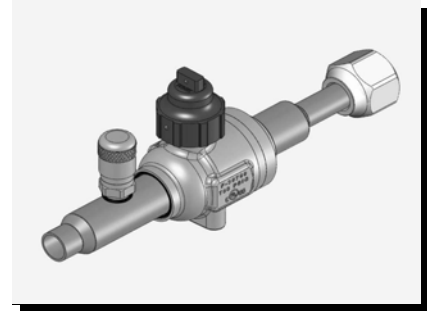
www.muellerindustries.com

# CYCLEMASTER® Ball Valves

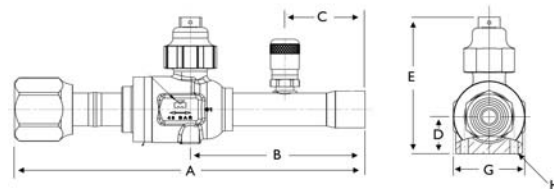
## Mini Split Flare x ODS

### Features:

- Maximum working pressure (PS): 700 psig, 48 bar
- Working temperature range (TS): -40°F/300°F, -40°C/149°C
- Compatible with all CFC, HCFC and HFC refrigerants and oils, including R410a
- Full port construction to match line size ID
- Internally equalized ball design
- Rupture-proof encapsulated stem
- MCMTM Seal Technology
- One-piece valox cap
- UL/cUL Listed, CE Certified



Drawing A



Drawing B

### Dimensions

Part Number	Size	A (in)	B (in)	C (in)	D (in)	E (in)	G (in)	H	Wt(lb)	Drawing
A 18405	3/8	5.93	2.5	1.16	0.65	2.39	1.25	M4 X .07	0.67	A
A 18406	5/8	5.85	2.94	1.35	0.65	2.39	1.25	M4 X .07	0.73	B

### Metric Dimensions

Part Number	Size	A (mm)	B (mm)	C (mm)	D (mm)	E (mm)	G (mm)	H	Wt(kg)	Drawing
A 18405	10	151	64	29	17	61	32	M4 X .07	0.30	A
A 18406	16	149	75	34	17	61	32	M4 X .07	0.33	B



RoHS Compliant. Comply with ISO 9001 Standards.

12/9/2010

121 Rogers Street • Hartsville, TN 37074  
 (800) 251-8983 or (615) 374-2124  
 FAX (800) 529-0884 or (615) 374-0932

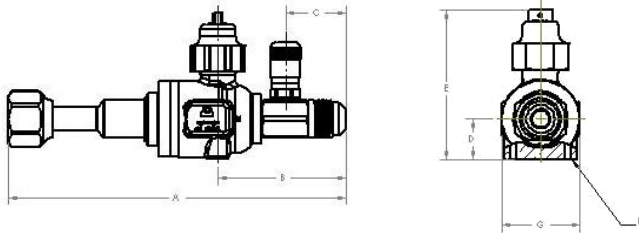
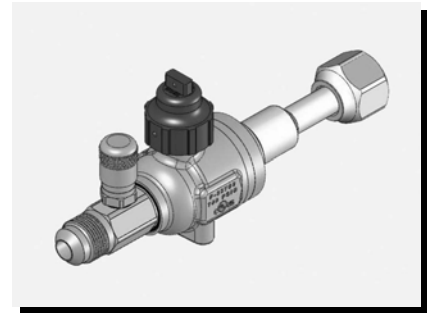
www.muellerindustries.com

# CYCLEMASTER® Ball Valves

## Mini Split Male x Female Flare

### Features:

- Maximum working pressure (PS): 700 psig, 48 bar
- Working temperature range (TS): -40°F/300°F, -40°C/149°C
- Compatible with all CFC, HCFC and HFC refrigerants and oils, including R410a
- Full port construction to match line size ID
- Internally equalized ball design
- Rupture-proof encapsulated stem
- MCMTM Seal Technology
- One-piece valox cap
- UL/cUL Listed, CE Certified



### Dimensions

Part Number	Size	A (in)	B (in)	C (in)	D (in)	E (in)	G (in)	H	Wt(lb)
A 18450	1/4	6.19	1.98	0.88	0.65	2.39	1.25	M4 X .07	0.75
A 18429	3/8	6.30	2.10	1.00	0.65	2.39	1.25	M4 X .07	0.75
A 18451	1/2	6.51	2.21	1.11	0.65	2.39	1.25	M4 X .07	0.86
A 18430	5/8	6.64	2.28	1.15	0.65	2.39	1.25	M4 X .07	0.86

### Metric Dimensions

Part Number	Size	A (mm)	B (mm)	C (mm)	D (mm)	E (mm)	G (mm)	H	Wt(kg)
A 18450	1/4	157	50	22	17	61	32	M4 X .07	0.34
A 18429	3/8	160	53	25	17	61	32	M4 X .07	0.34
A 18451	1/2	165	56	28	17	61	32	M4 X .07	0.39
A 18430	5/8	169	58	29	17	61	32	M4 X .07	0.39



RoHS Compliant. Comply with ISO 9001 Standards.

12/9/2010

121 Rogers Street • Hartsville, TN 37074  
 (800) 251-8983 or (615) 374-2124  
 FAX (800) 529-0884 or (615) 374-0932

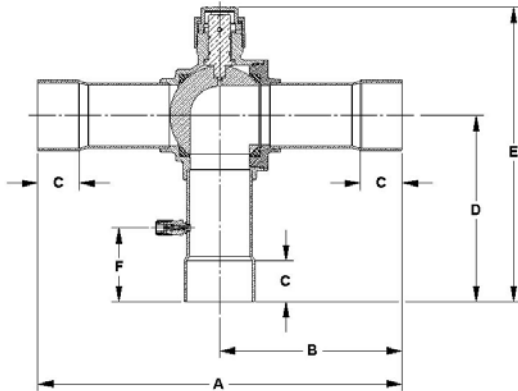
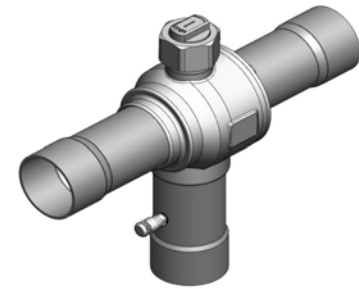
www.muellerindustries.com

# CYCLEMASTER® Ball Valves

## 3-Way

### Features:

- Maximum working pressure (PS): 700 psig, 48 bar
- Working temperature range (TS): -40°F/300°F, -40°C/149°C
- Compatible with all CFC, HCFC and HFC refrigerants and oils
- Full port construction to match line size ID
- Internally equalized ball design
- Rupture-proof encapsulated stem
- MCMTM Seal Technology
- UL/cUL Listed, CE Certified



### References

\* Reduced Port

### Dimensions

Part Number	Size	Cv	A (in)	B (in)	C (in)	D (in)	E (in)	F (in)	Port (in)	Wt(lb)	Seal Cap Kit
AUI7860	3/8	2.2	5.50	2.97	0.31	2.61	4.16	1.16	0.50	0.73	A 17842
AUI7861	1/2	3.9	6.38	3.42	0.38	3.05	4.60	1.21	0.50	0.74	A 17842
AUI7862	5/8	4.6	6.38	3.42	0.50	3.05	4.60	1.35	0.50	0.74	A 17842
AUI7863	3/4	11.9	7.47	3.91	0.62	3.65	5.86	1.47	0.75	1.40	A 17843
AUI7864	7/8	10.9	7.47	3.91	0.75	3.65	5.86	1.60	0.75	1.52	A 17843
AUI7865	1 1/8	19.3	8.41	4.33	0.91	4.01	6.39	1.74	1.00	2.82	A 17844
A 17545	1 3/8	31.1	10.00	5.07	0.97	4.92	7.89	2.04	1.25	4.97	A 17845
A 17546	1 5/8	44.7	11.00	5.53	1.09	5.46	8.61	2.25	1.50	7.17	A 17845
AUI7868	2 1/8	76.3	11.86	5.95	1.34	6.06	9.58	2.41	1.93	8.27	A 17845
AUI7871 *	2 5/8	69.9	11.90	5.97	1.47	6.08	9.60	2.48	1.93	8.80	A 17845
AUI7872 *	3 1/8	58.2	11.86	5.95	1.66	6.06	9.58	2.66	1.93	11.10	A 17845



RoHS Compliant. Comply with ISO 9001 Standards.

12/9/2010

121 Rogers Street • Hartsville, TN 37074  
 (800) 251-8983 or (615) 374-2124  
 FAX (800) 529-0884 or (615) 374-0932

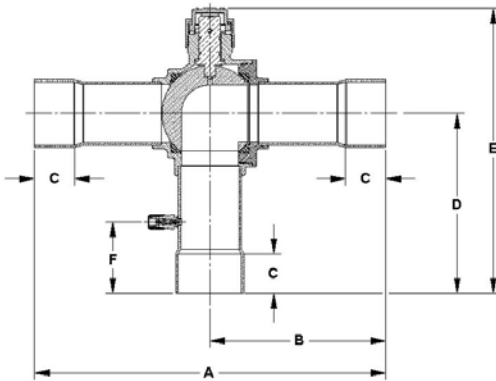
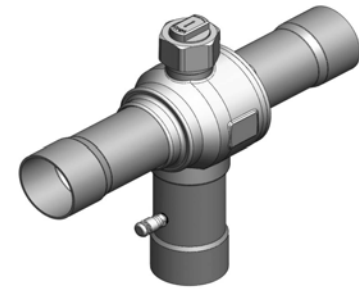
www.muellerindustries.com

# CYCLEMASTER® Ball Valves

## 3-Way

### Features:

- Maximum working pressure (PS): 700 psig, 48 bar
- Working temperature range (TS): -40°F/300°F, -40°C/149°C
- Compatible with all CFC, HCFC and HFC refrigerants and oils
- Full port construction to match line size ID
- Internally equalized ball design
- Rupture-proof encapsulated stem
- MCMTM Seal Technology
- UL/cUL Listed, CE Certified



### References

\* Reduced Port

### Metric Dimensions

Part Number	Size	Kv	A (mm)	B (mm)	C (mm)	D (mm)	E (mm)	F (mm)	Port (mm)	Wt(kg)	Seal Cap Kit
AUI7860	10	1.9	140	75	8	66	106	29	13	0.33	A 17842
AUI7861	13	3.4	162	87	10	77	117	31	13	0.33	A 17842
AUI7862	16	4.0	162	87	13	77	117	34	13	0.34	A 17842
AUI7863	19	10.3	190	99	16	93	149	37	19	0.64	A 17843
AUI7864	22	9.4	190	99	19	93	149	41	19	0.69	A 17843
AUI7865	29	16.7	214	110	23	102	162	44	25	1.28	A 17844
A 17545	35	26.9	254	129	25	125	200	52	32	2.25	A 17845
A 17546	41	38.7	279	140	28	139	219	57	38	3.25	A 17845
AUI7868		66.0	301	151	34	154	243	61	49	3.75	A 17845
AUI7871 *	67	60.4	302	152	37	154	244	63	49	3.99	A 17845
AUI7872 *	79	50.3	301	151	42	154	243	68	49	5.03	A 17845



RoHS Compliant. Comply with ISO 9001 Standards.

12/9/2010

121 Rogers Street • Hartsville, TN 37074  
 (800) 251-8983 or (615) 374-2124  
 FAX (800) 529-0884 or (615) 374-0932

www.muellerindustries.com